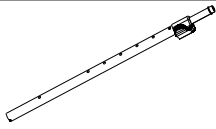
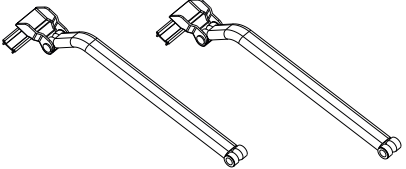
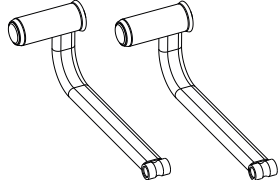
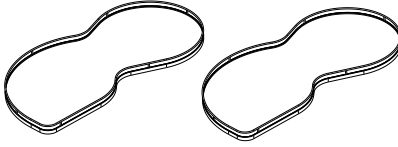
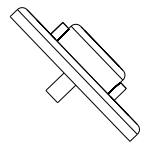
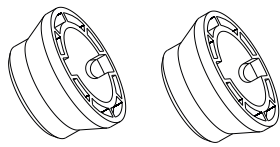
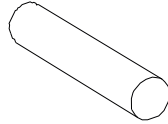

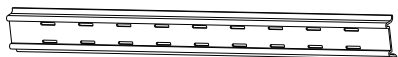


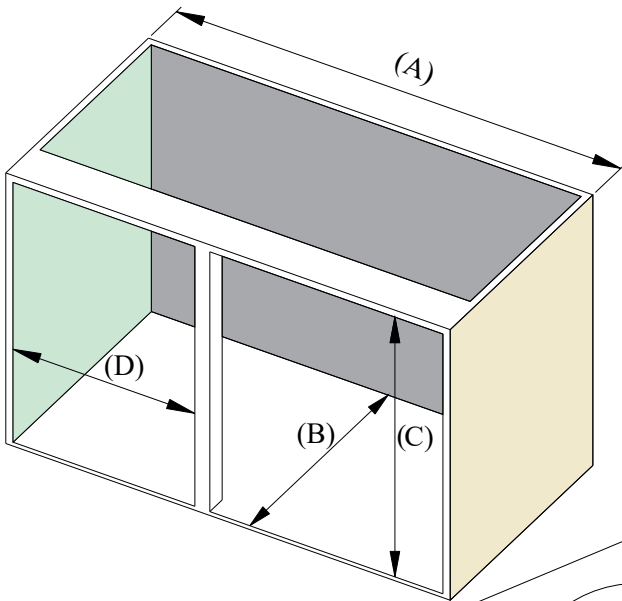
No.	Description	Picture	Quantity
1	Main Support & Adjusting Rod		1 No.
2	Fulcrum Base		2 Nos.
3	Swing Leaver		2 Nos.
4	Swing Tray		2 Nos.
5	Top & Bottom Support Base		2 Nos.
6	Swing Lever Stopper		2 Nos.
7	Dowell Pin		1 No.
8	C- Ring Stopper		2 Nos.
9	Adjusting Strip		1 No.

Left Side

Step (1)

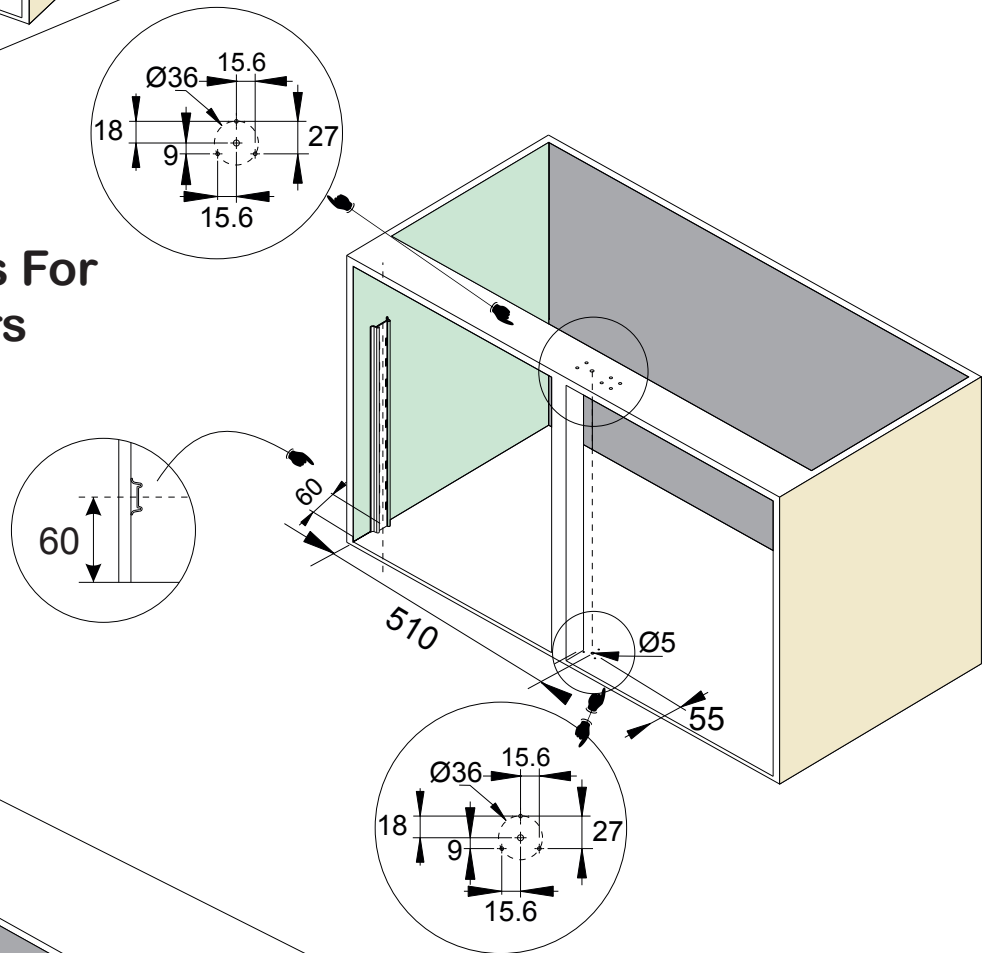
Carcass Dimension

Cabinet Width (A)	1050-1100mm
Cabinet Depth (B)	560Min.
Height (C)	600-700mm
Door Width (D)	450-500mm



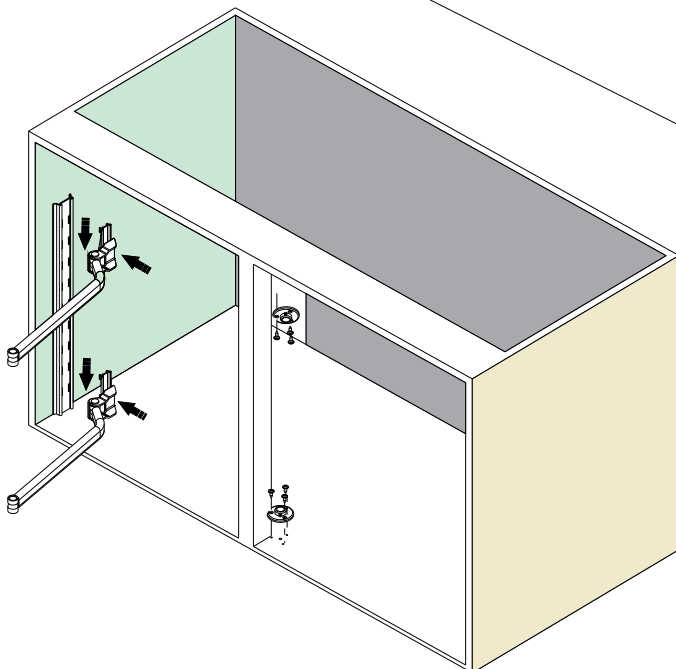
Step (2)

**Drill Mounting Holes For
Top / Bottom Holders
In To Carcass.**



Step (3)

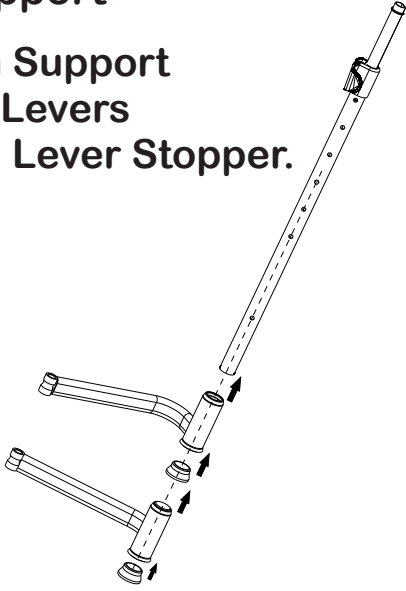
**Mounting Fulcrum With
Levers, Top & Bottom
Holders**



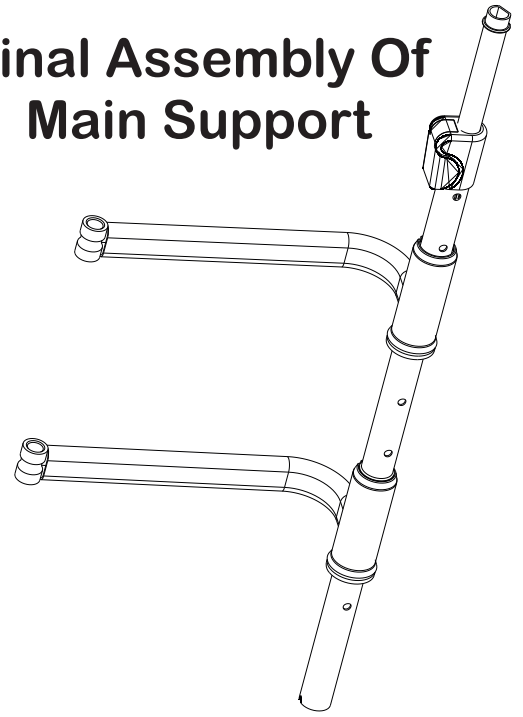
Step (4)

Pre - Assembly Of Main Support

Insert Main Support Into Swing Levers With Swing Lever Stopper.



Final Assembly Of Main Support

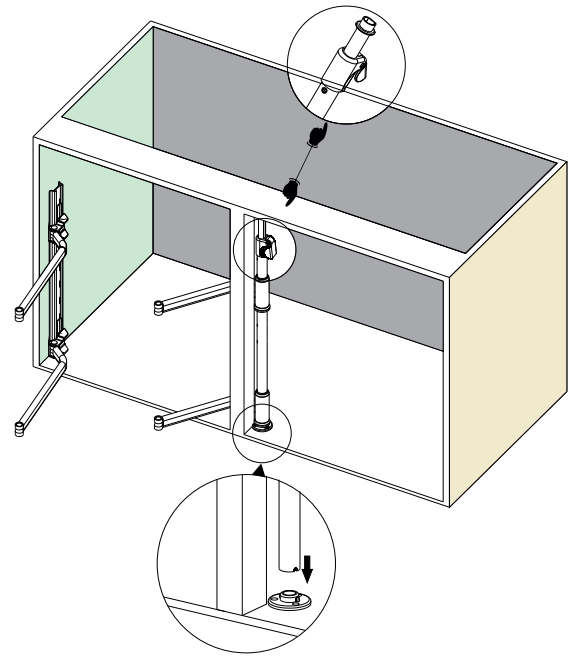


01) Place The Main Support Holder & Fix It.

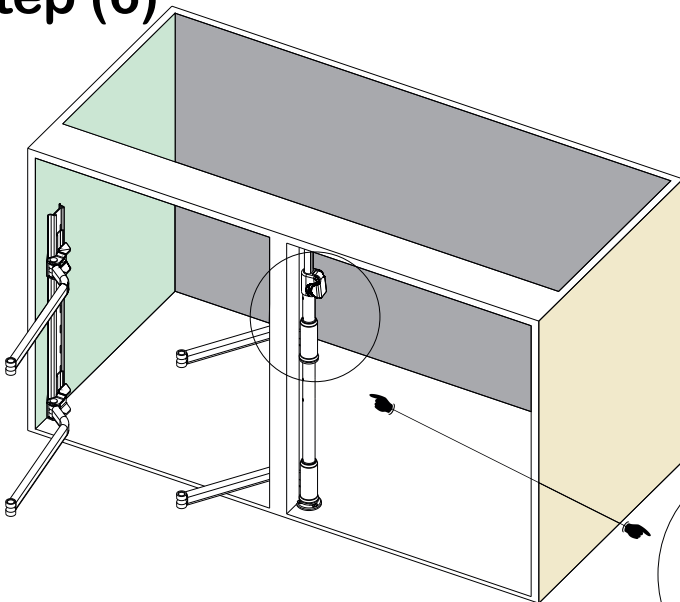
02) Fix The Adj-Rod Into Top Holder

03) Press Down Lock After Fixing On The Top Holder

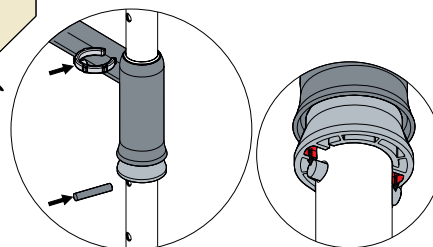
Step (5)



Step (6)

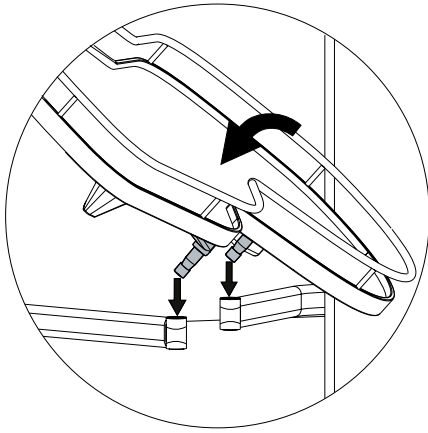


Insert Pin & C- Ring After Adjusting Swing Levers.

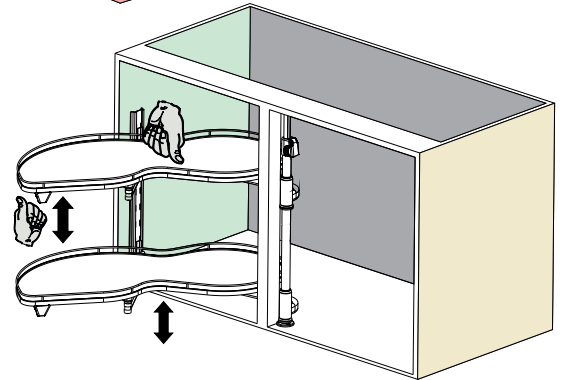
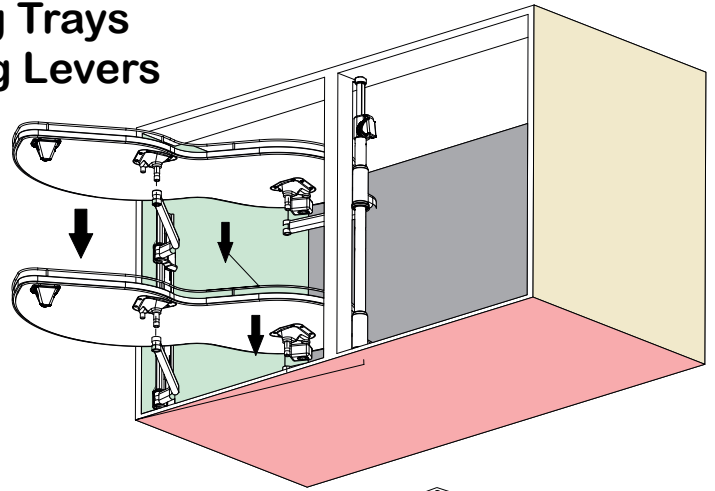


Step (7)

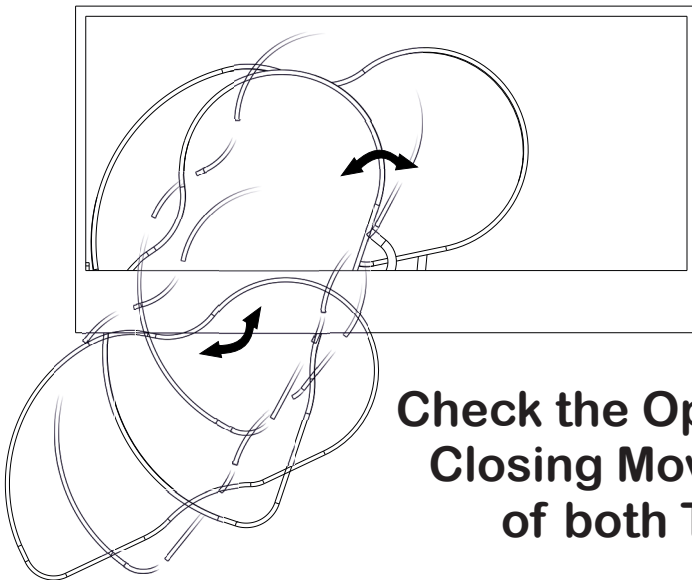
Mounting Trays On Swing Levers



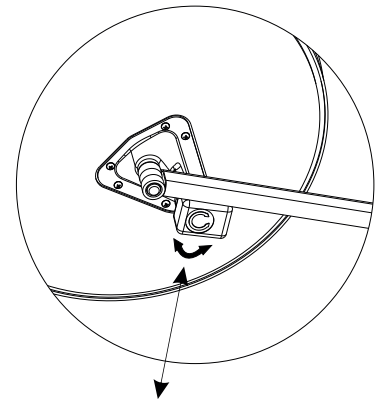
Place Tray On Swing
Levers



Press Tray From Top side & Bottom
Side & Fix It...

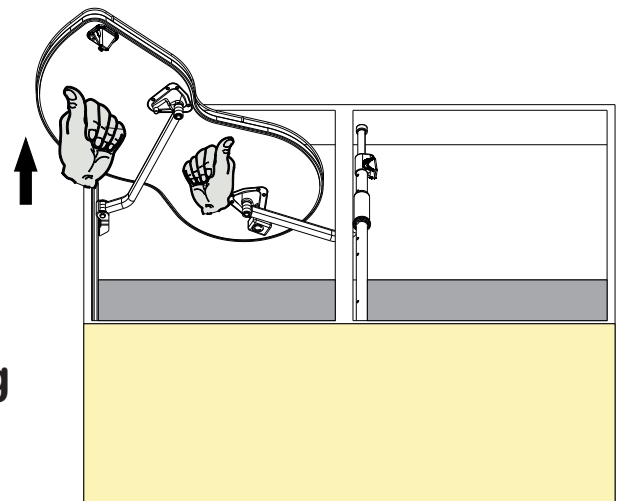


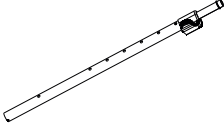
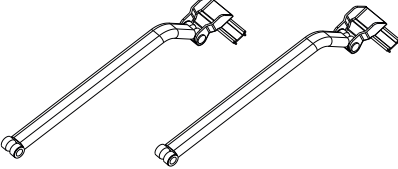
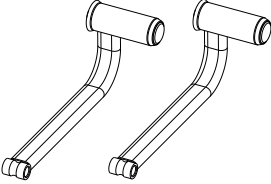
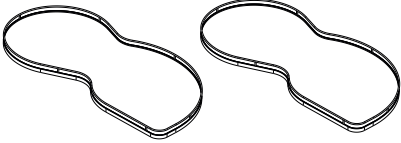
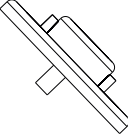
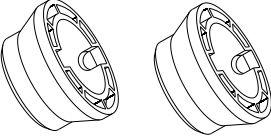
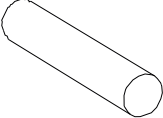
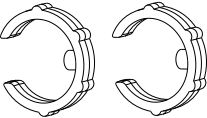
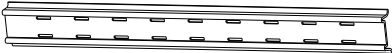
Check the Opening &
Closing Movement
of both Tray



Opening Movement
Is Adjustable,
by Stopper Cushion

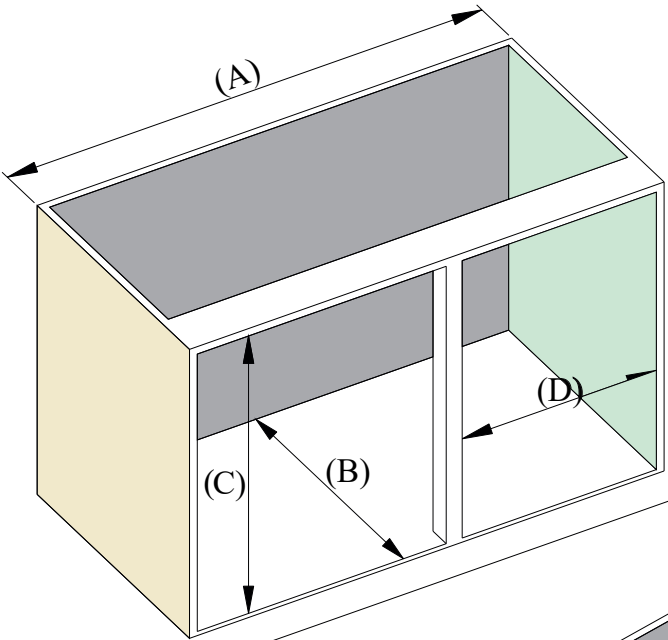
Pull Up For De-mounting
Swing Tray



No.	Description	Picture	Quantity
1	Main Support & Adjusting Rod		1 No.
2	Fulcrum Base		2 Nos.
3	Swing Leaver		2 Nos.
4	Swing Tray		2 Nos.
5	Top & Bottom Support Base		2 Nos.
6	Swing Lever Stopper		2 Nos.
7	Dowell Pin		1 No.
8	C- Ring Stopper		2 Nos.
9	Adjusting Strip		1 No.

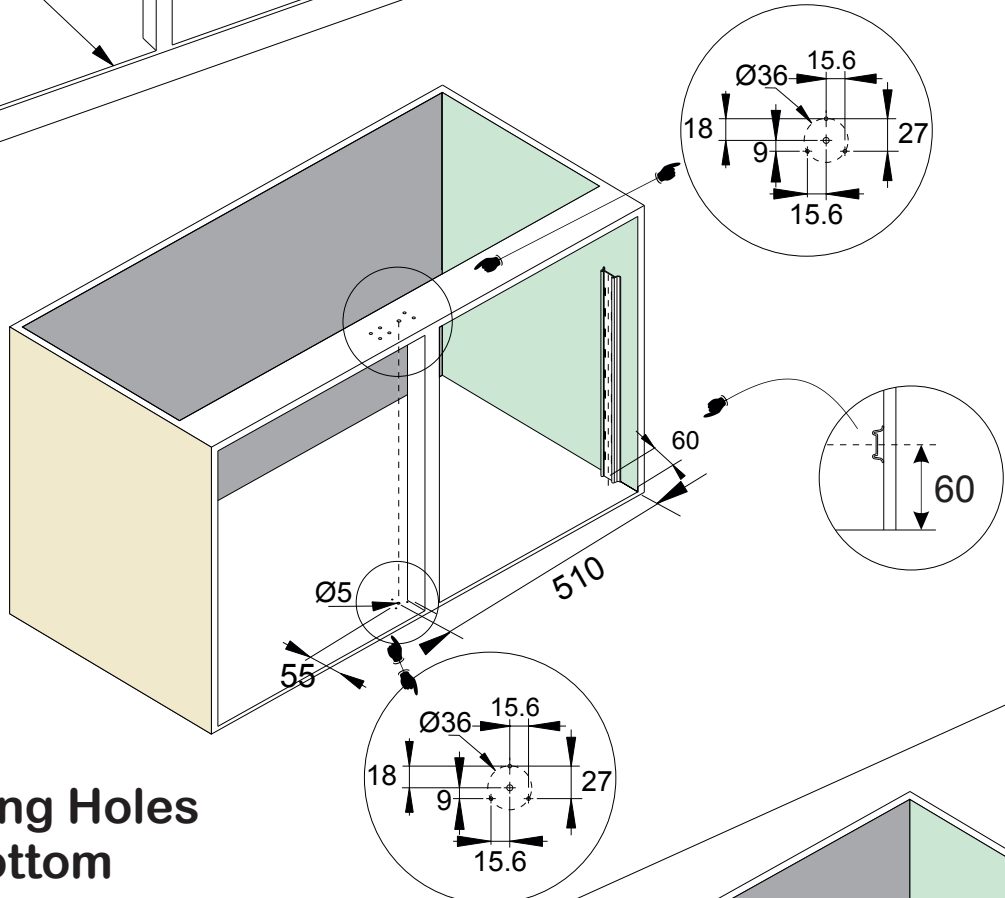
Right Side

Step (1) Carcass Dimension



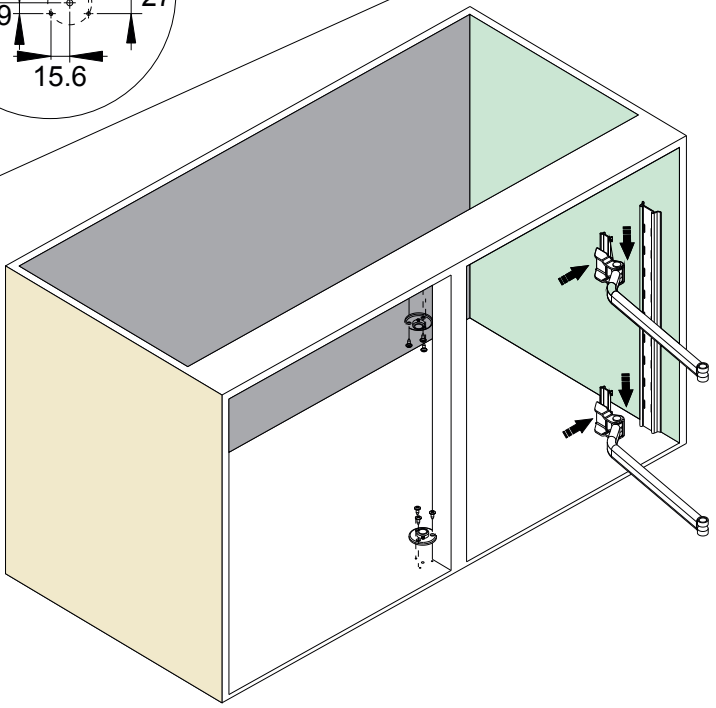
Cabinet Width (A)	1050-1100mm
Cabinet Depth (B)	560Min.
Height (C)	600-700mm
Door Width (D)	450-500mm

Step (2)



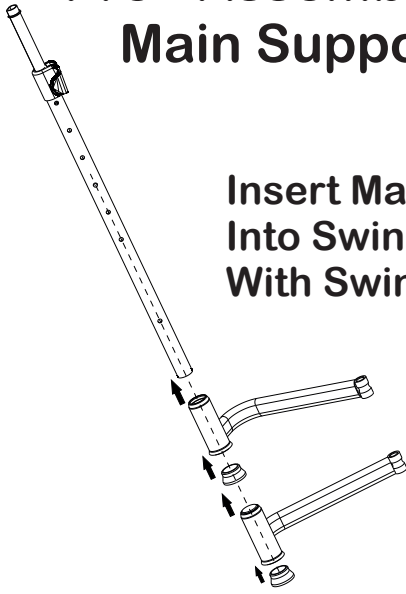
**Drill Mounting Holes
For Top / Bottom
Holders In To Carcass.**

**Step (3)
Mounting Fulcrum With
Levers, Top & Bottom
Holders**



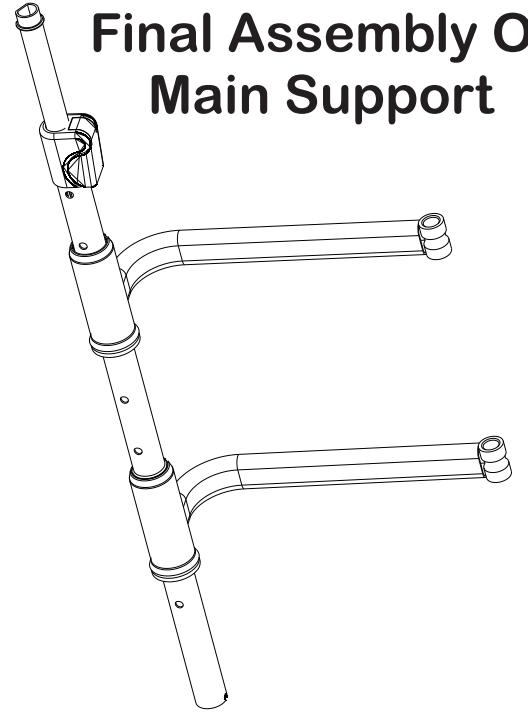
Step (4)

Pre - Assembly Of Main Support

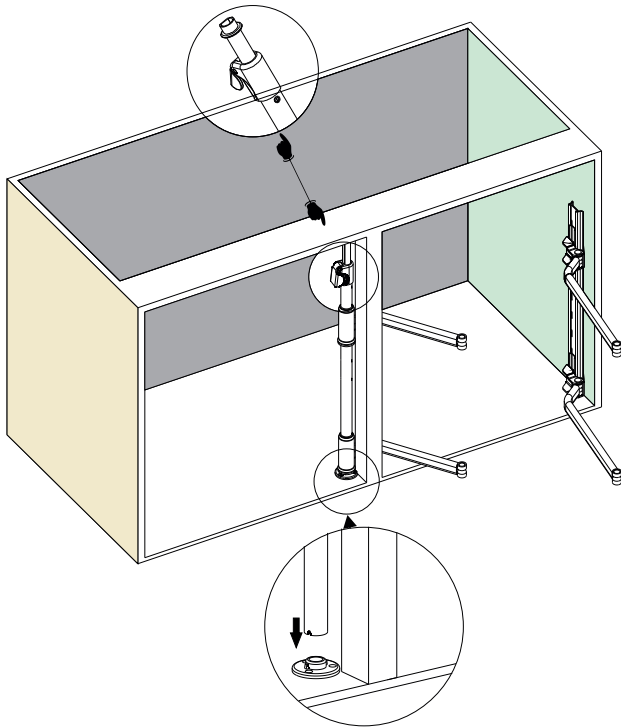


Insert Main Support Into Swing Levers With Swing Lever Stopper.

Final Assembly Of Main Support



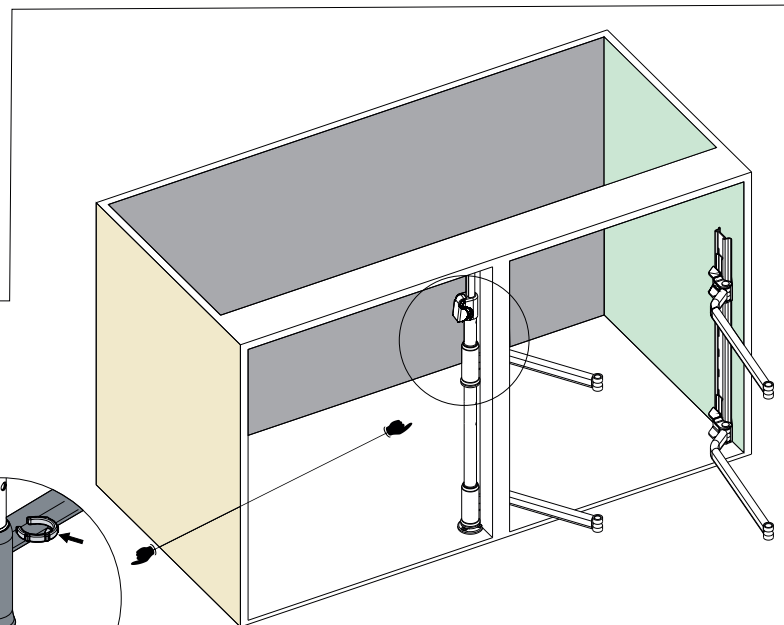
Step (5)



01) Place The Main Support Holder & Fix It.

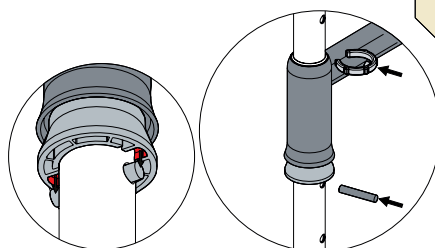
02) Fix The Adj-Rod Into Top Holder

03) Press Down Lock After Fixing On The Top Holder

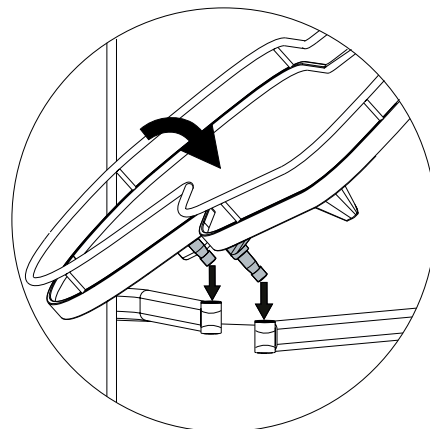
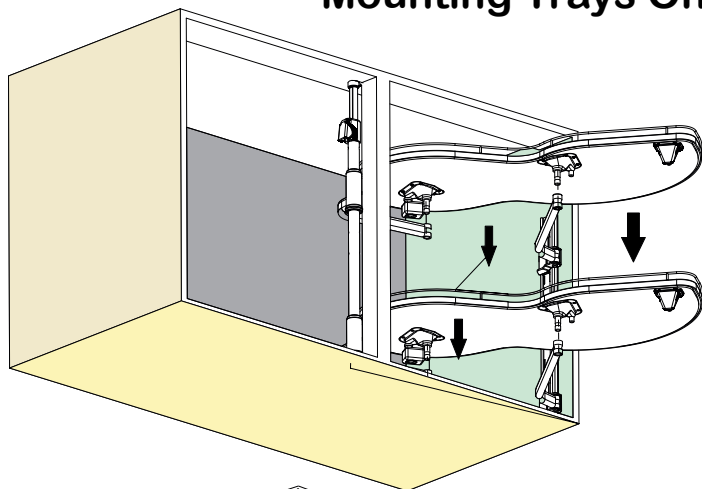


Step (6)

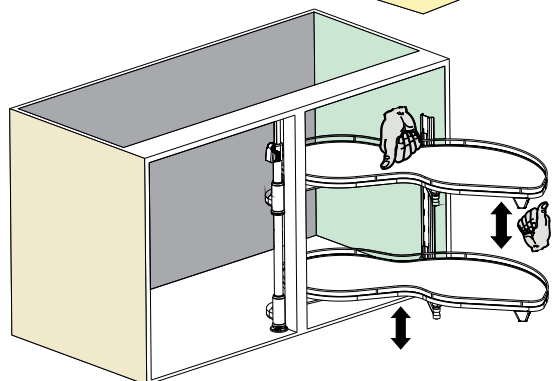
Insert Pin & C- Ring After Adjusting Swing Levers.



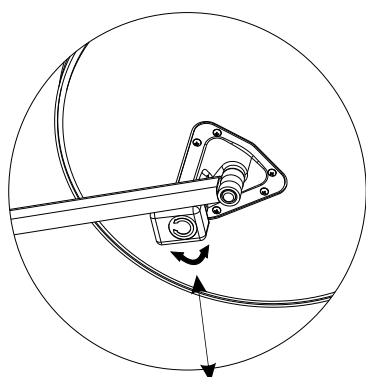
Mounting Trays On Swing Levers



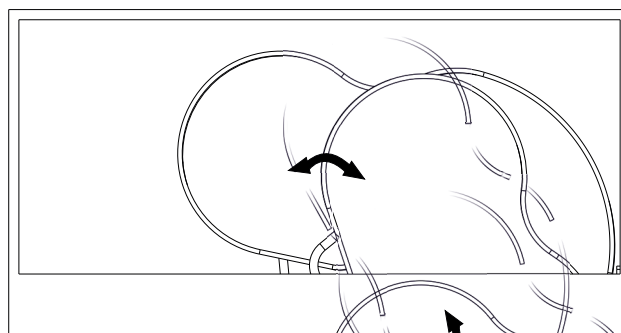
Place Tray On Swing Levers



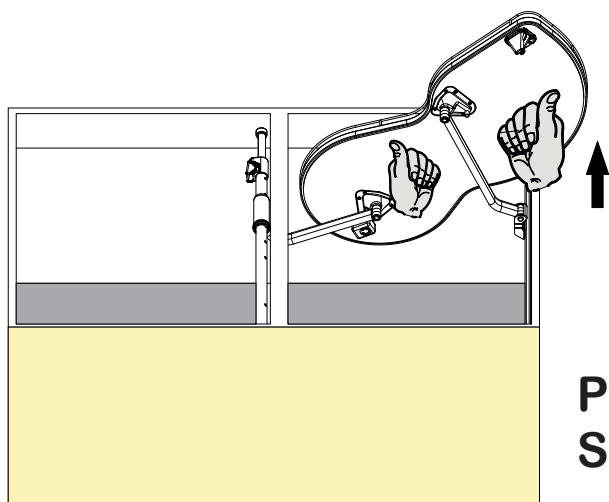
Press Tray From Topside & Bottom Side & Fix It...



Opening Movement Is Adjustable, by Stopper Cushion



Check the Opening & Closing Movement of both Tray



Pull Up For De-mounting Swing Tray